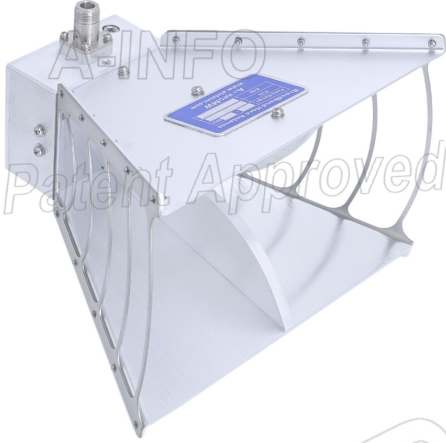


For reference only. See data sheet for the detailed specifications.

Technical Specification



Frequency Range(GHz)	1.0 – 12.5
Gain(dBi)	11 Typ.
Polarization	Linear
3dB Beamwidth(deg)	E Plane: 100 - 26
	H Plane: 62 - 33
Cross Pol. Isolation(dB)	25 Typ.
VSWR	1.5:1 Typ.
Connector	N-Female or SMA-Female
Power Handling(W CW)	N-Female: 300 Max.
	SMA-Female: 50 Max.
Material	Al
Finish	Chemical Conversion Coating and Sand Blasting
Size(mm)	244 x 160 x 204
Net Weight(Kg)	1.45 Around

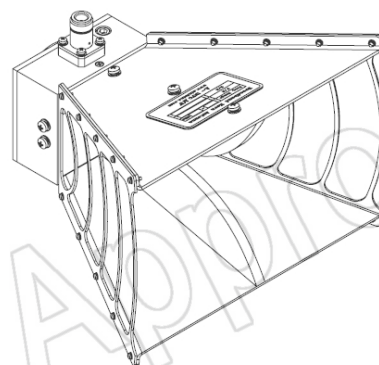
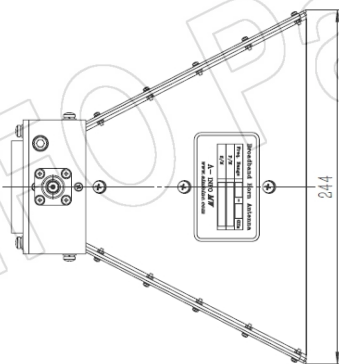
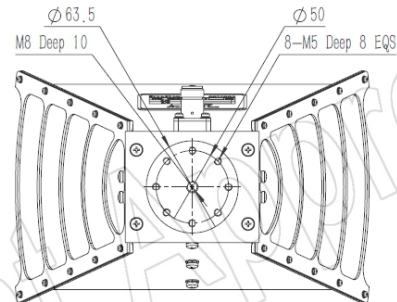
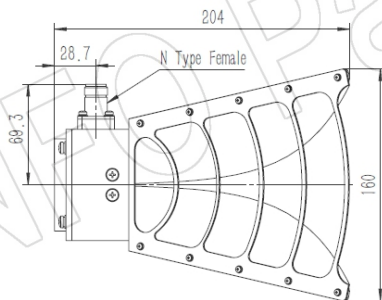
PATENT ID (China)

ZL201621014310.X, ZL201630454711.6

Outline Drawing (Size: mm)

N-Female Output (P/N: LB-10125-NF)

For SMA-Female output outline drawing, please contact A-INFO.



AINFO Inc.

China(Beijing):
China(Chengdu):
USA :

Tel: (+86) 10-6266-7326,
Tel: (+86) 28-8519-2786,
Tel: (+1) 949-639-9688,

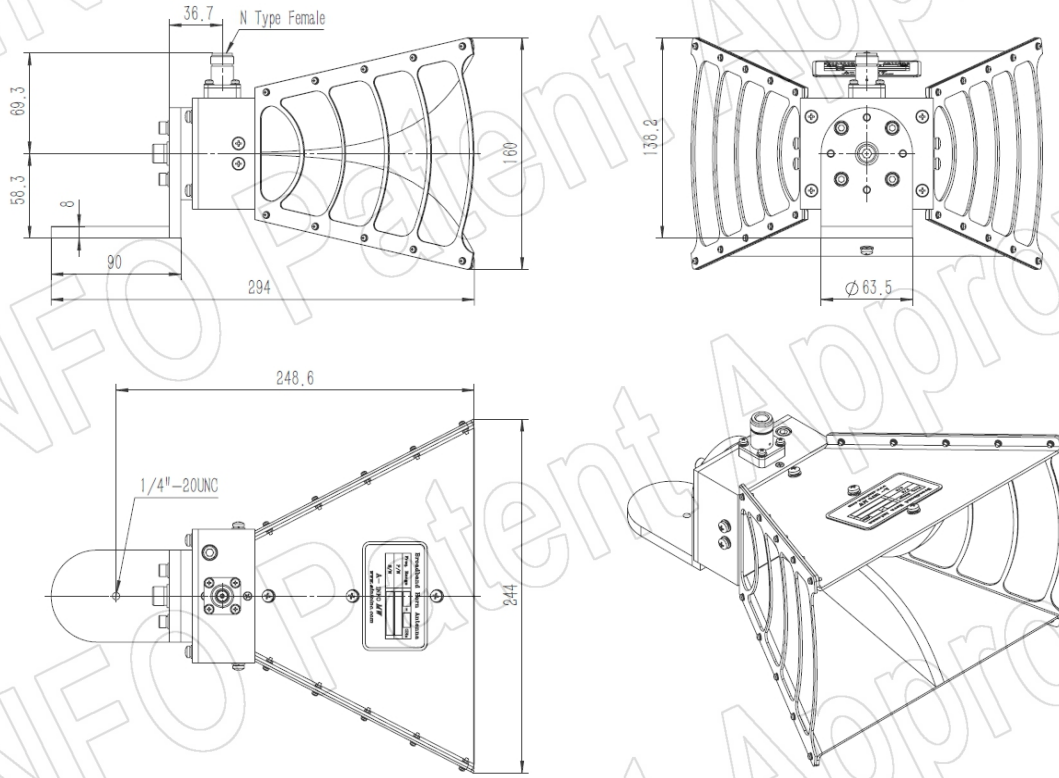
(+86) 10-6266-7327
(+86) 28-8519-3044
(+1) 949-639-9608

Fax: (+86) 10-6266-7379
Fax: (+86) 28-8519-3068
Fax: (+1) 949-639-9670

Website: www.ainfoinc.com
Email: sales@ainfoinc.com

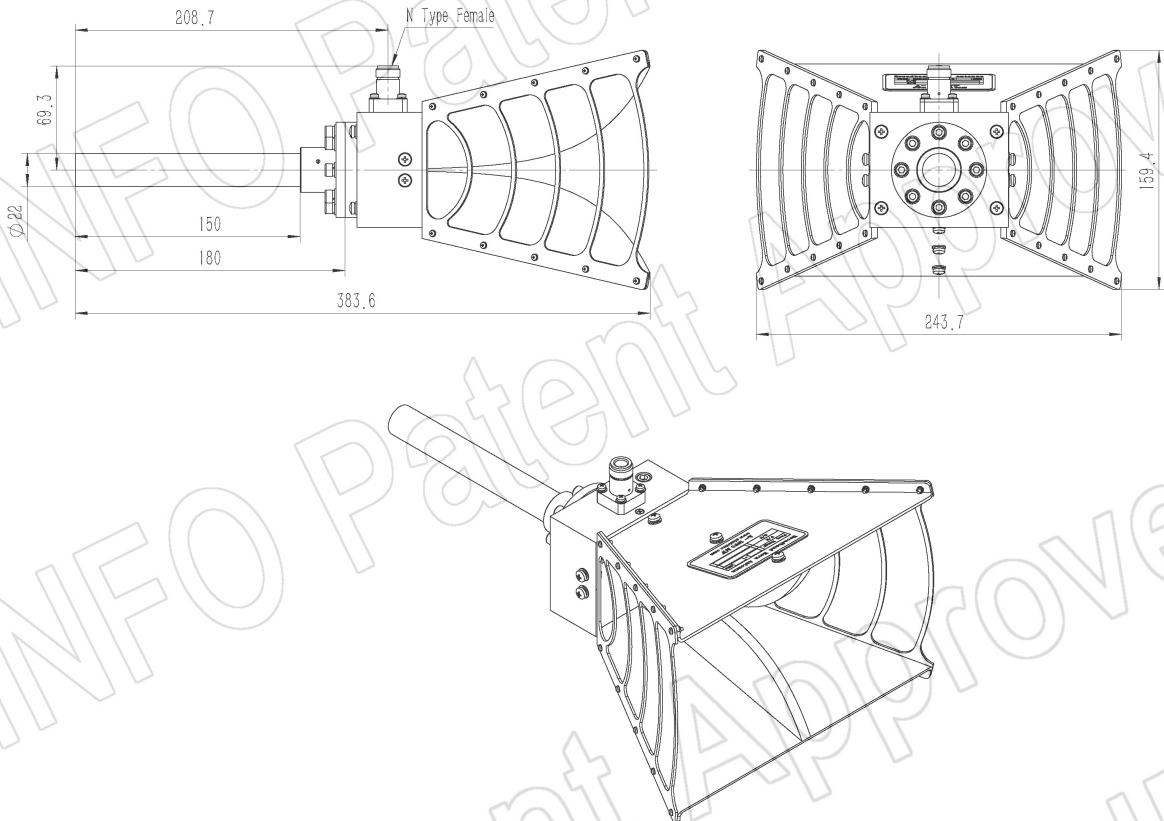
N-Female Output with L Type Mounting Bracket (Option, P/N: LB-10180-L)

For SMA-Female output outline drawing, please contact A-INFO.



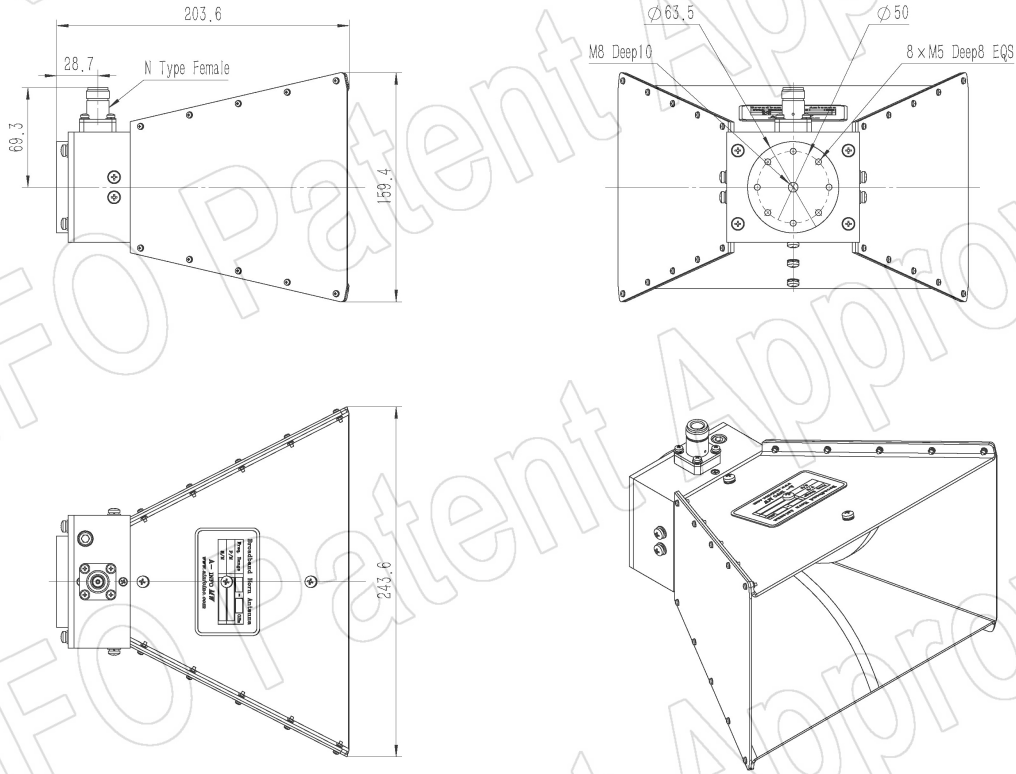
N-Female Output with Round Type Mounting Bracket (Option, P/N: LB-10180-MA)

For SMA-Female output outline drawing, please contact A-INFO.



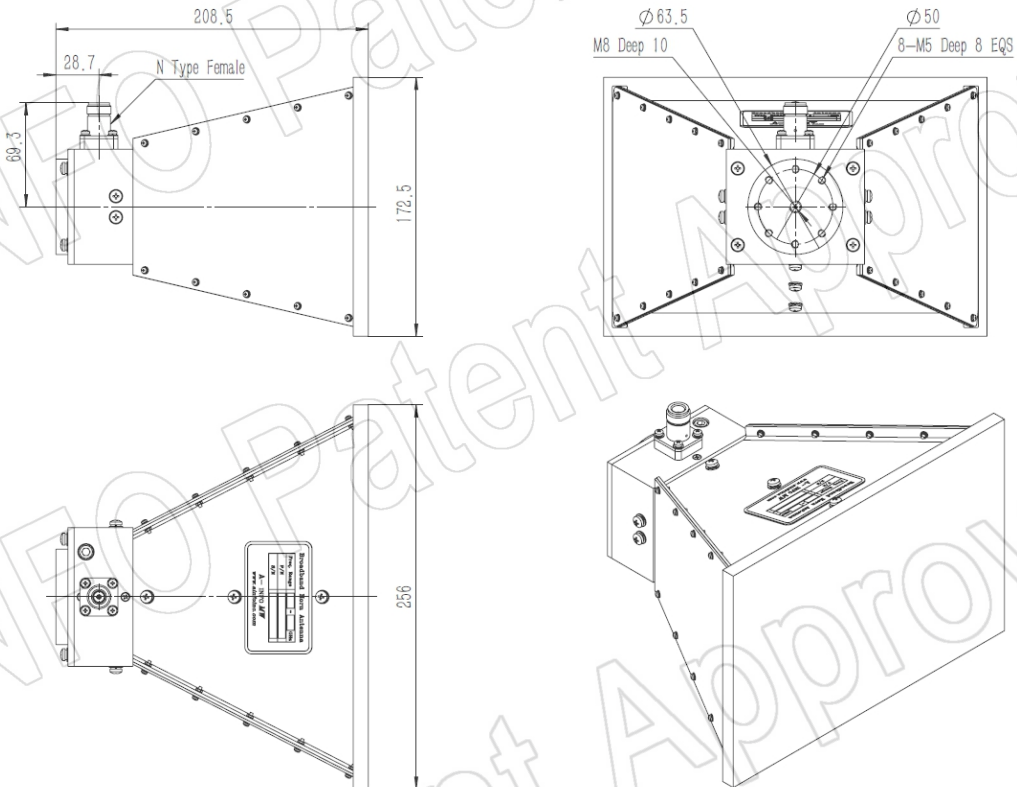
N-Female Output with Side Plate (Option, P/N: LB-10125-NFP)

For SMA-Female output outline drawing, please contact A-INFO.



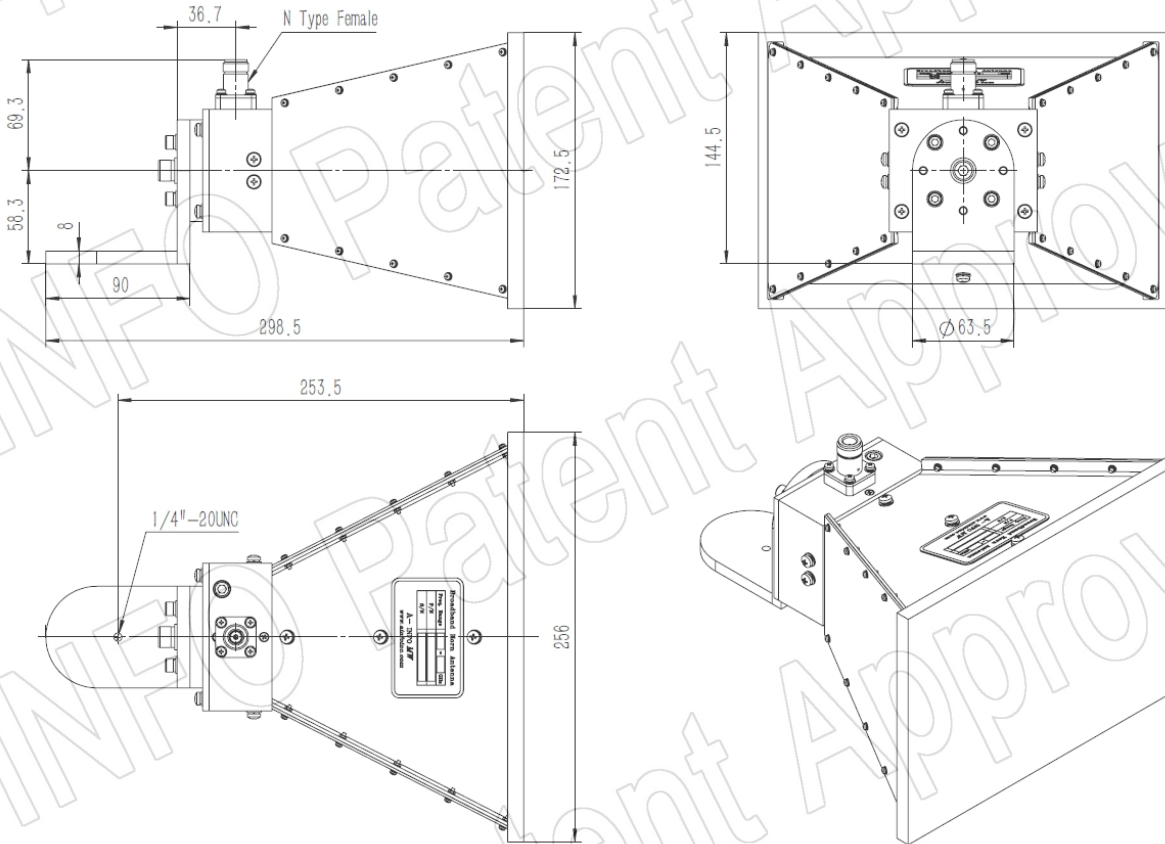
N-Female Output with Radome (Option, P/N: LB-10125-NFSP0, Outdoor Application)

For SMA-Female output outline drawing, please contact A-INFO.



N-Female Output with L Type Mounting Bracket & Radome (Option, P/N: LB-10180-L & LB-10125- NFSP0, Outdoor Application)

For SMA-Female output outline drawing, please contact A-INFO.



AINFO Inc.

China(Beijing):
 China(Chengdu):
 USA :

Tel: (+86) 10-6266-7326,
 (+86) 28-8519-2786,
 Tel: (+1) 949-639-9688,

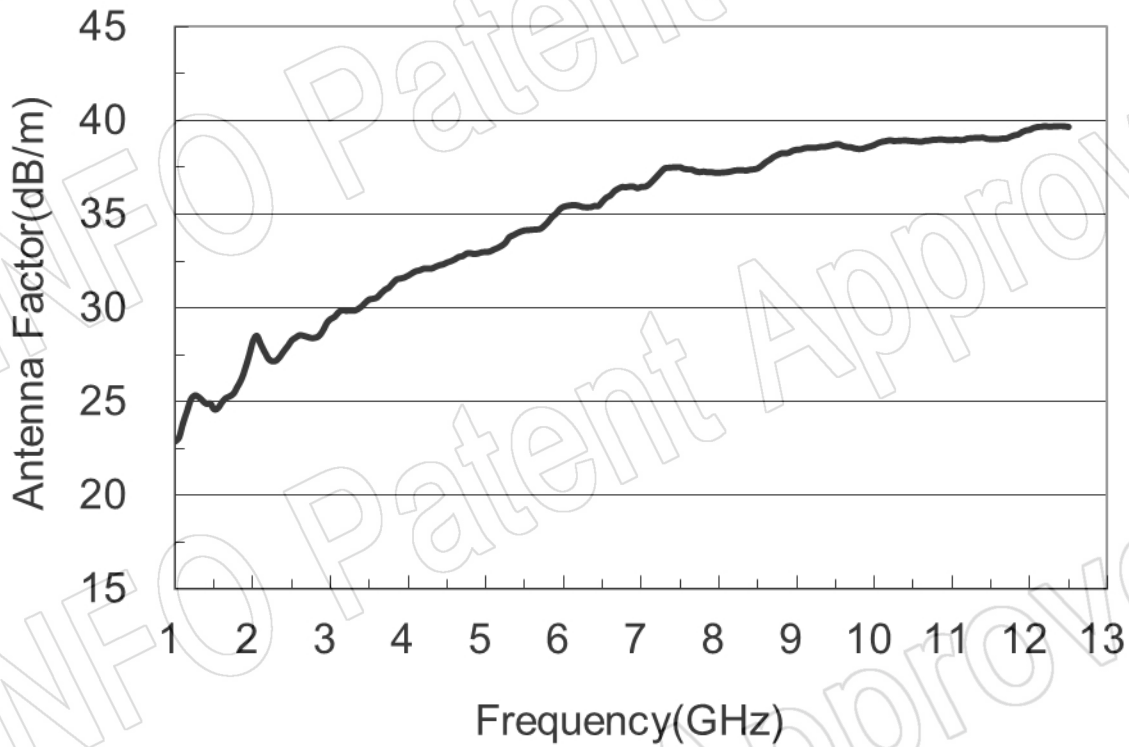
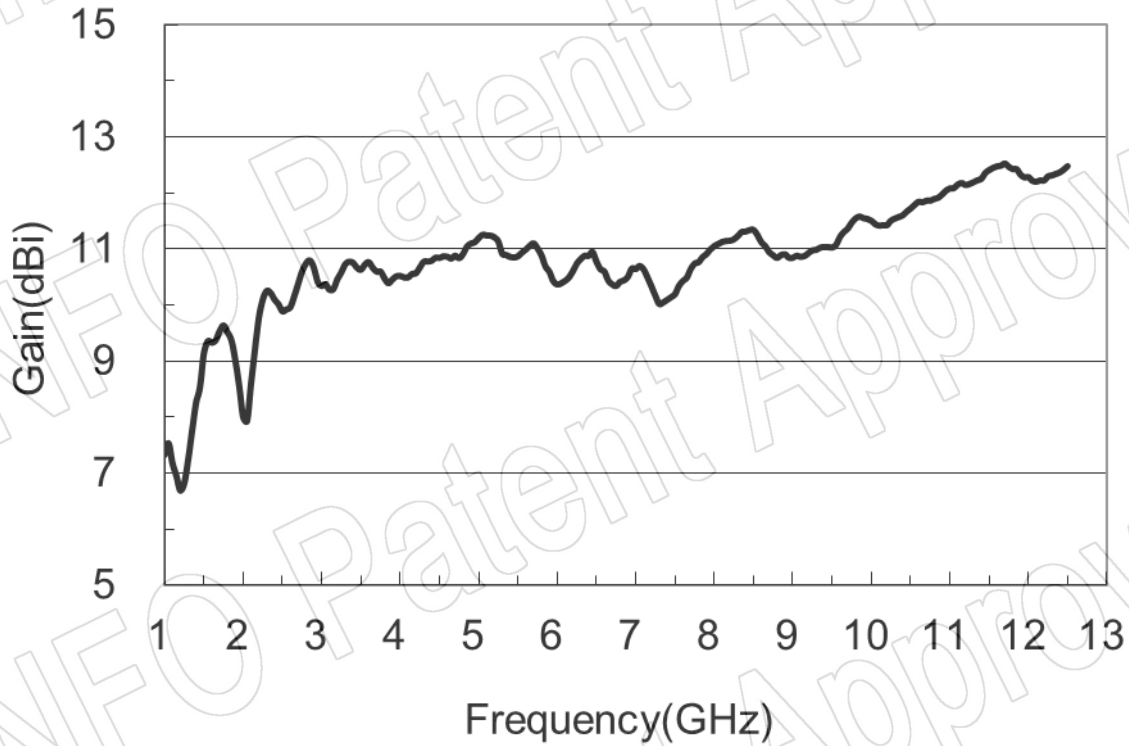
(+86) 10-6266-7327
 (+86) 28-8519-3044
 (+1) 949-639-9608

Fax: (+86) 10-6266-7379
 Fax: (+86) 28-8519-3068
 Fax: (+1) 949-639-9670

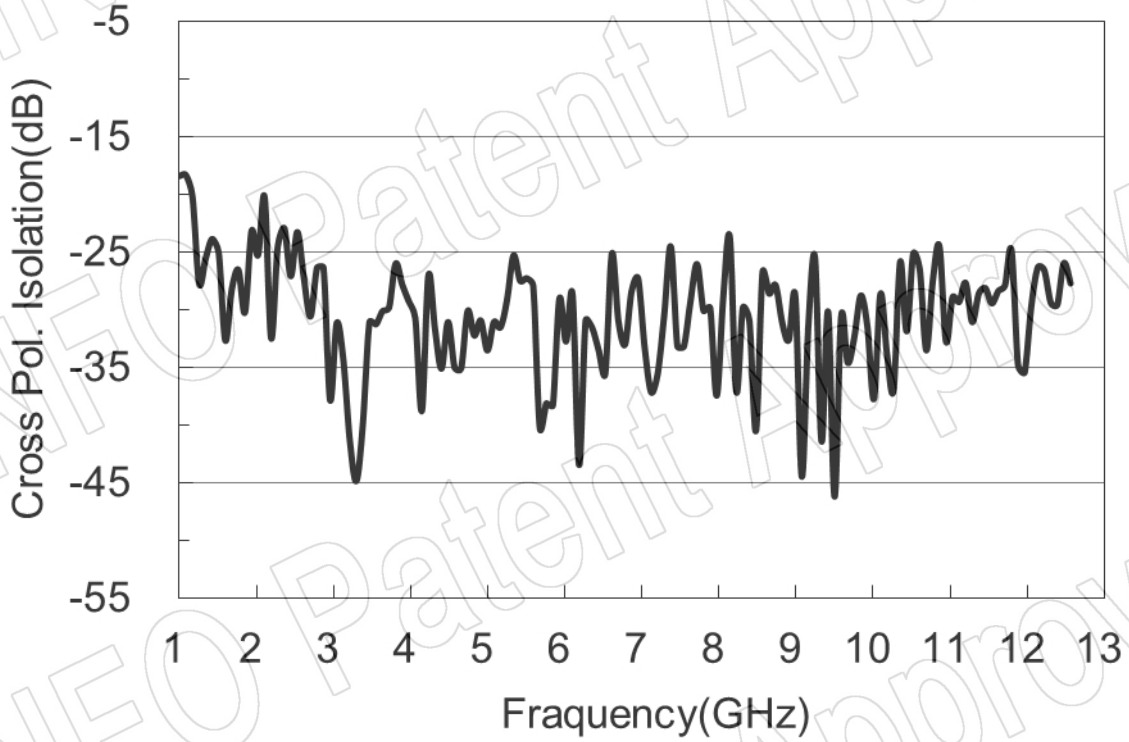
Website: www.ainfoinc.com
 Email: sales@ainfoinc.com

Test Results

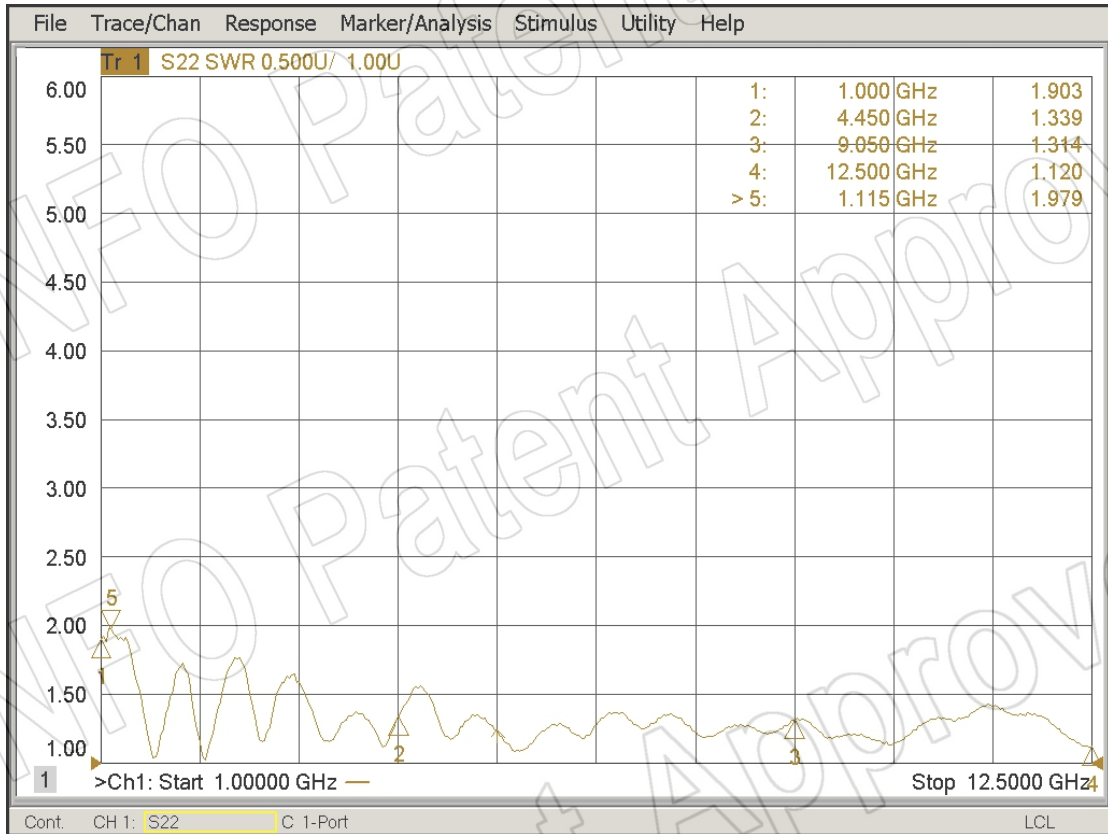
1. Gain & Antenna Factor



2. Cross Polarization Isolation



3. VSWR



4. Pattern

